

TABLE TYPE 740 (A714)

This parts catalog is includes MB No 1

PARTS CATALOG

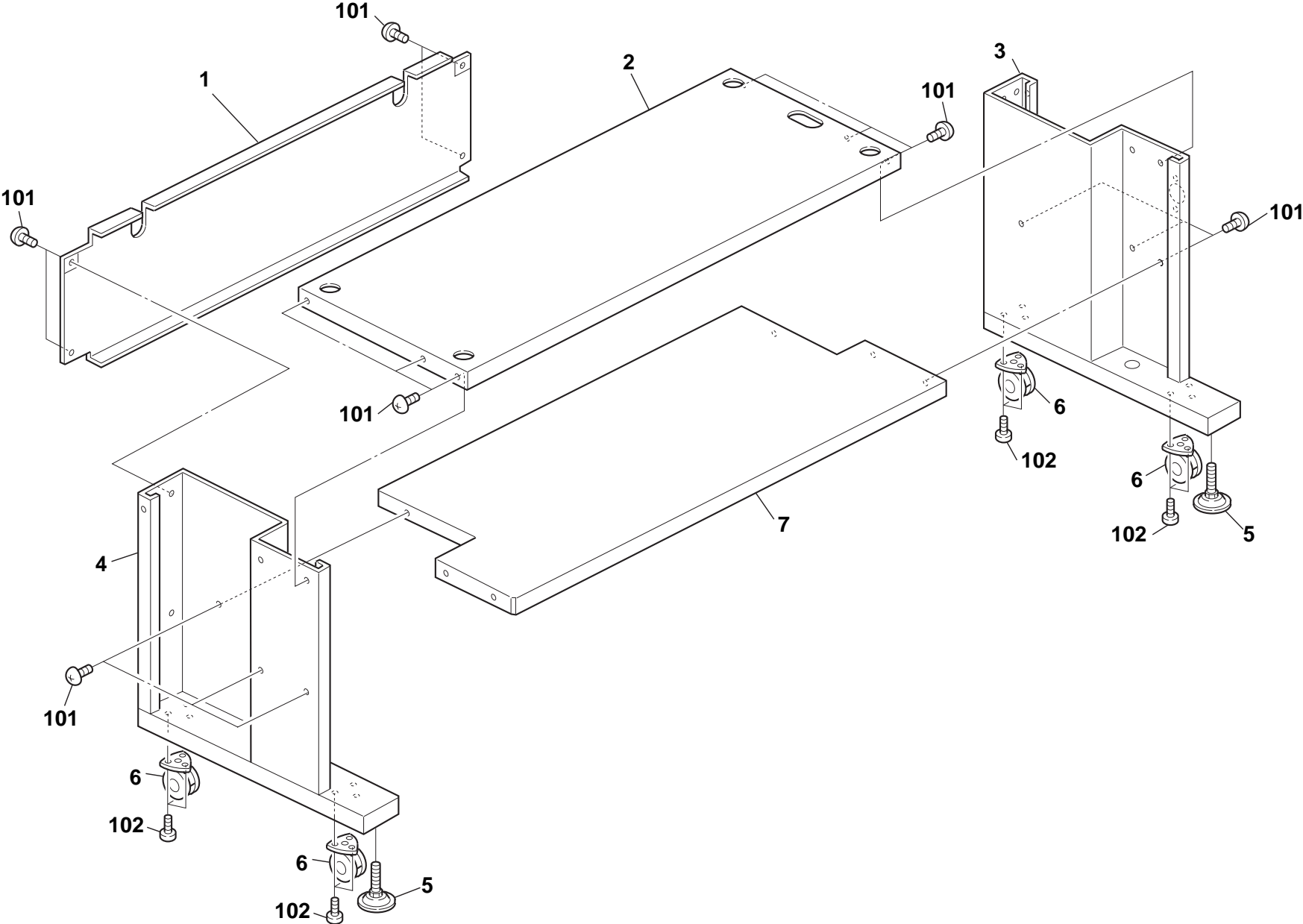
INTRODUCTION

This chapter instructs you the numbers and names of parts on this machine.

INDEX to PARTS CATALOG

1.TABLE UNIT (A714)	2
PARTS INDEX	5

1.TABLE UNIT (A714)



1.TABLE UNIT (A714)

Index No.	Part No.	Description	Q'ty Per Assembly
1	A714 3040	Rear Cover (A163 RIC/NRG)/(A251)	1
1	A714 2962	Rear Cover (A163 K+E)	1
1	A714 2964	Rear Cover (A163 HOECHST/REGMA)	1
2	A714 3000	Upper Table Bracket (A163 RIC/NRG)/(A251)	1
2	A714 2902	Upper Table Bracket (A163 K+E)	1
2	A714 2904	Upper Table Bracket (A163 HOECHST/REGMA)	1
3	A714 3021	Right Table Stay (A163 RIC/NRG)/(A251)	1
3	A714 2942	Right Table Stay (A163 K+E)	1
3	A714 2944	Right Table Stay (A163 HOECHST/REGMA)	1
4	A714 3011	Left Table Stay (A163 RIC/NRG)/(A251)	1
4	A714 2922	Left Table Stay (A163 K+E)	1
4	A714 2924	Left Table Stay (A163 HOECHST/REGMA)	1
5	5400 1041	Leveling Foot	2
6	A714 3045	Caster - Cassette Bank	2
6	5896 1115	O/O MB 1	
7	A714 3030	Table Separation Plate (A163 RIC/NRG)/(A251)	1
7	A714 2952	Table Separation Plate (A163 K+E)	1
7	A714 2954	Table Separation Plate (A163 HOECHST/REGMA)	1

Index No.	Part No.	Description	Q'ty Per Assembly
101	0954 4008Z	Double Sens Screw - M4x8	
101	0354 0060F	Double Sens Screw - M4x8	
102	0315 0080B	Philips Pan Head Screw - M5x8	

PARTS INDEX

Part No.	Description	Page and Index No.
A714 2902	Upper Table Bracket (A163 K+E)	3- 2
A714 2904	Upper Table Bracket	3- 2
A714 2922	Left Table Stay (A163 K+E)	3- 4
A714 2924	Left Table Stay	3- 4
A714 2942	Right Table Stay (A163 K+E)	3- 3
A714 2944	Right Table Stay	3- 3
A714 2952	Table Separation Plate (A163 K+E)	3- 7
A714 2954	Table Separation Plate	3- 7
A714 2962	Rear Cover (A163 K+E)	3- 1
A714 2964	Rear Cover (A163 HOECHST/REGMA)	3- 1
A714 3000	Upper Table Bracket	3- 2
A714 3011	Left Table Stay	3- 4
A714 3021	Right Table Stay (A163 RIC/NRG)/(A251)	3- 3
A714 3030	Table Separation Plate	3- 7
A714 3040	Rear Cover (A163 RIC/NRG)/(A251)	3- 1
A714 3045	Caster - Cassette Bank	3- 6

Part No.	Description	Page and Index No
5400 1041	Leveling Foot	3- 5
5896 1115	O/O MB 1	3- 6
0315 0080B	Philips Pan Head Screw - M5x8	3-102
0354 0060F	Double Sens Screw - M4x8	3-101
0954 4008Z	Double Sens Screw - M4x8	3-101